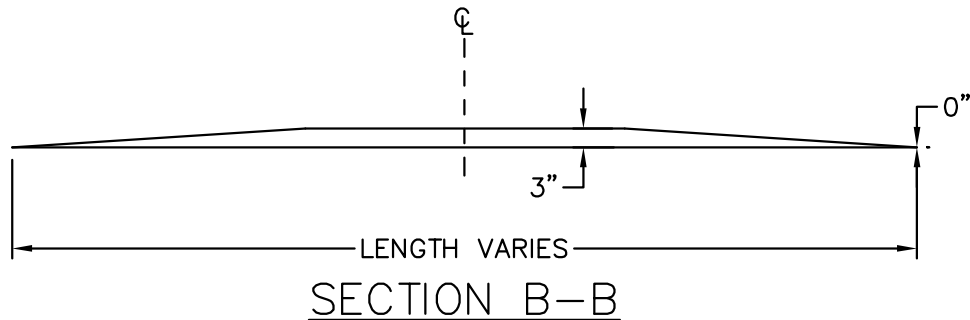
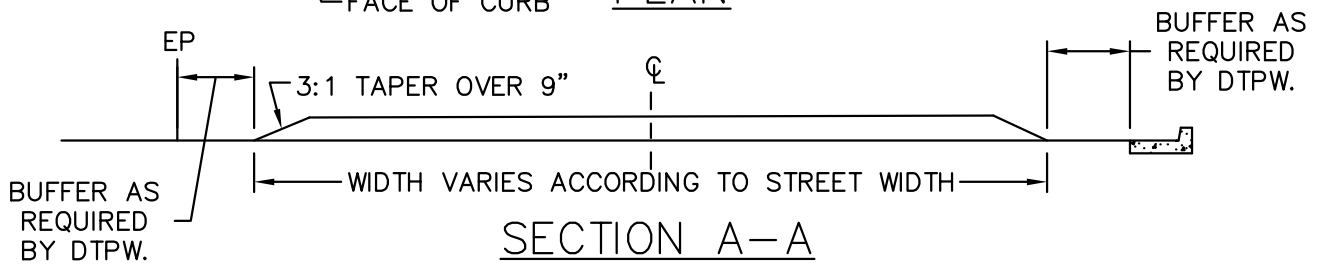
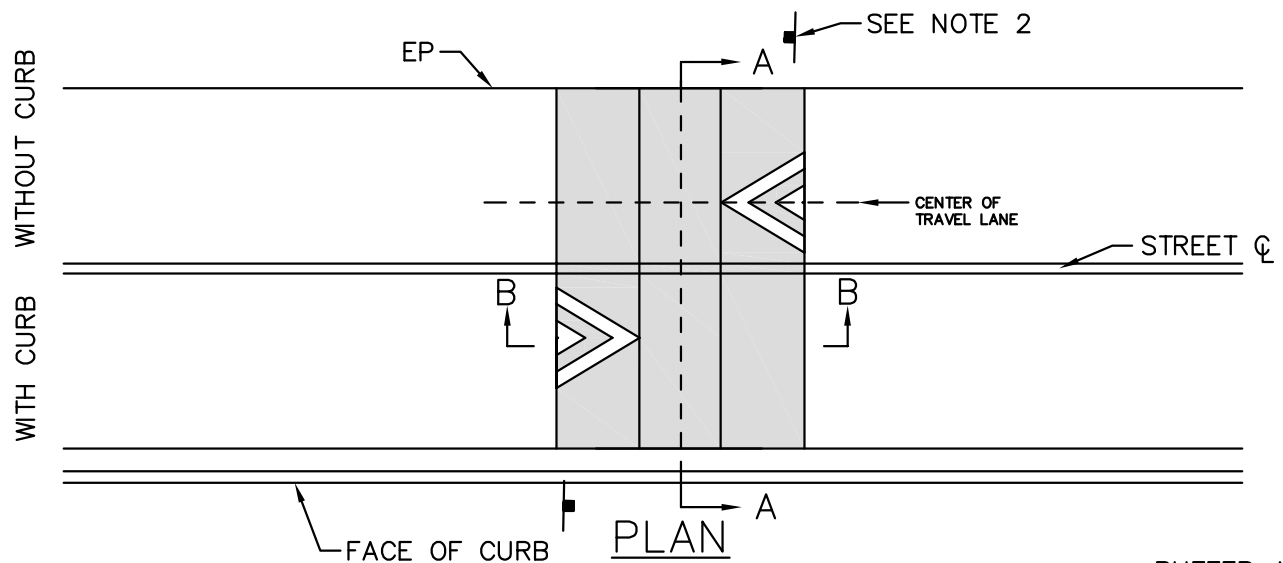


Xrefs: P:\Traffic\STAFF FOLDERS\Cinet\Draft Revised Standards\_Master.dwg Plot Date: Jan 04, 2021 at 14:24



**NOTES:**

1. TEMPORARY SPEED HUMPS MAY BE INSTALLED ONLY IF APPROVED BY THE DIRECTOR OF THE DEPARTMENT OF TRANSPORTATION AND PUBLIC WORKS.
2. TEMPORARY SPEED HUMPS SHALL BE MODULAR AND DIMENSIONS VARY:
  - W = 6' INCREASED BY 1.5' INCREMENTS
  - L = 7' INCREASED BY 3.5' INCREMENTS
  - H = 3"
3. UNITS SHALL BE AFFIXED TO ROADWAY PER MANUFACTURER'S SPECIFICATIONS AND AS APPROVED BY DTPW.
4. SPEED HUMP SIGNAGE AND MARKINGS SHALL BE INSTALLED PER THE CA MUTCD AND MEET CALTRANS SPECIFICATIONS. ADVANCE SIGNAGE AND MARKINGS MAY BE REQUIRED PER DTPW.

COUNTY OF SONOMA DEPARTMENT OF TRANSPORTATION AND PUBLIC WORKS		
TEMPORARY SPEED HUMP		
DATE: DEC, 2020	REVISED:	
APPROVED BY:	SCALE: NONE	DRAWING NO. 851